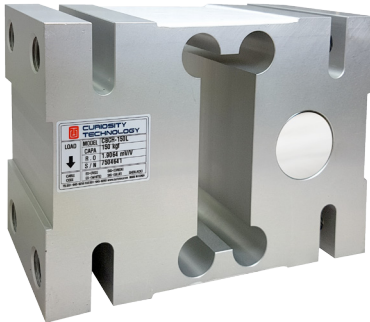


CBCH

Single Point Load Cell
100, 150, 200, 300, 500kgf, 1, 2 tf



FEATURES

- Off center compensated
- Protection class IP65

Material

- Anodized Aluminum

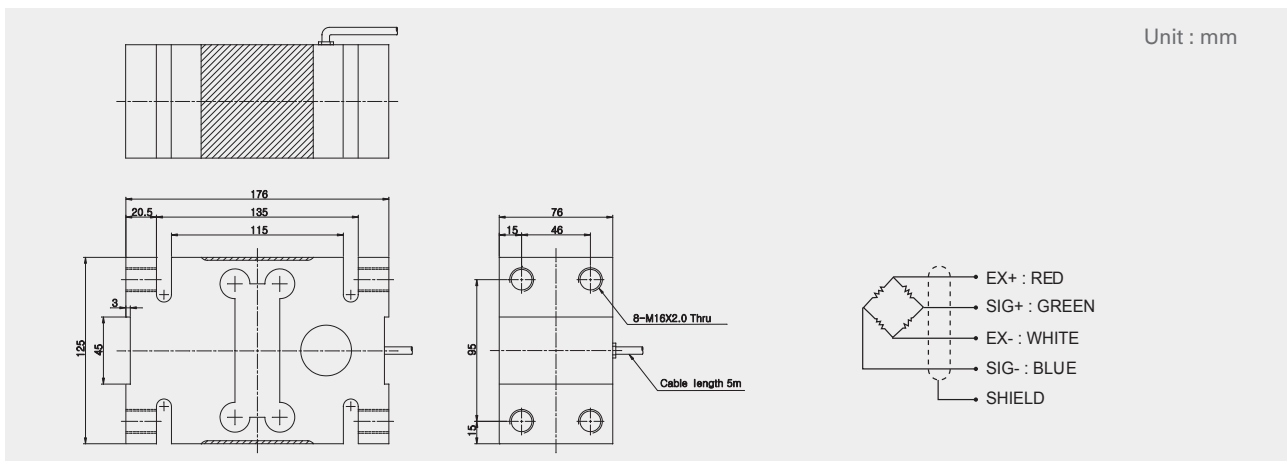
Cable

- Braided shield 4-wire round cable with PVC - jacket

Mounting

- Socket-head cap screw
- M16 x 2.0

DIMENSIONS



LOAD CELL
Single Point Load Cell

SPECIFICATIONS

Max. Capacity		kgf	100, 150, 200, 300, 500 kgf, 1, 2 tf
Rated output		mV/V	2.0 ± 0.2
Zero balance		mV/V	0.0 ± 0.1
Combined error		%RO	0.03
Repeatability		%RO	0.01
Creep (30min.)		%RO	0.03
Temperature effect on	Zero value	%RO/10°C	0.028
	Output value	%RO/10°C	0.014
Excitation	Recommended	V	10
	Maximum	V	15
Resistance	Input	Ω	400 ± 20
	Output	Ω	350 ± 3.5
	Insulation	MΩ	> 2,000 @50V DC
Compensated temp. range		°C	-10 ~ +40
Operating temp. range		°C	-20 ~ +80